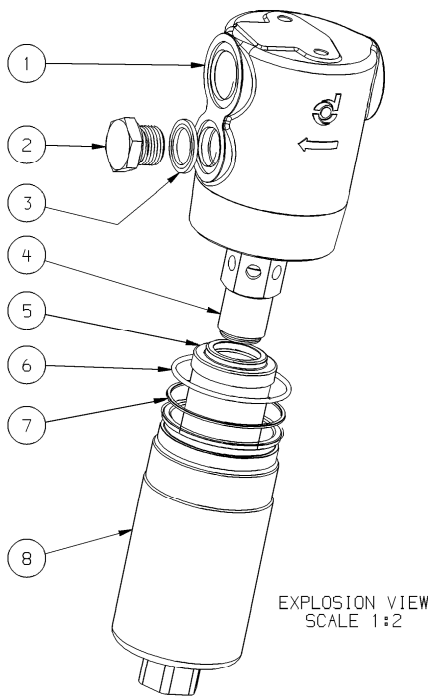
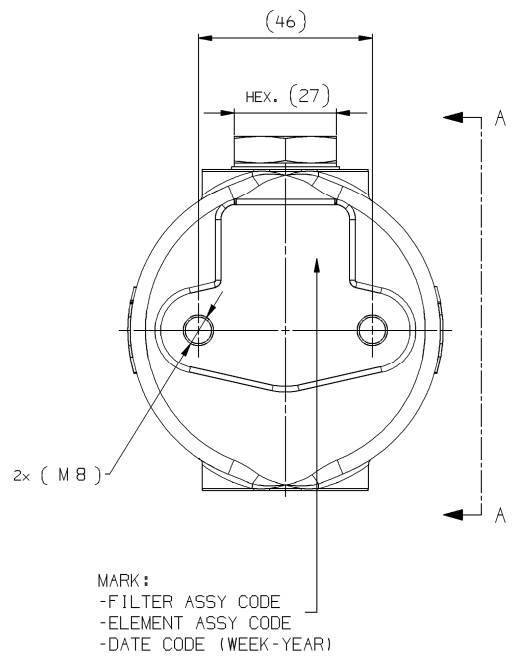
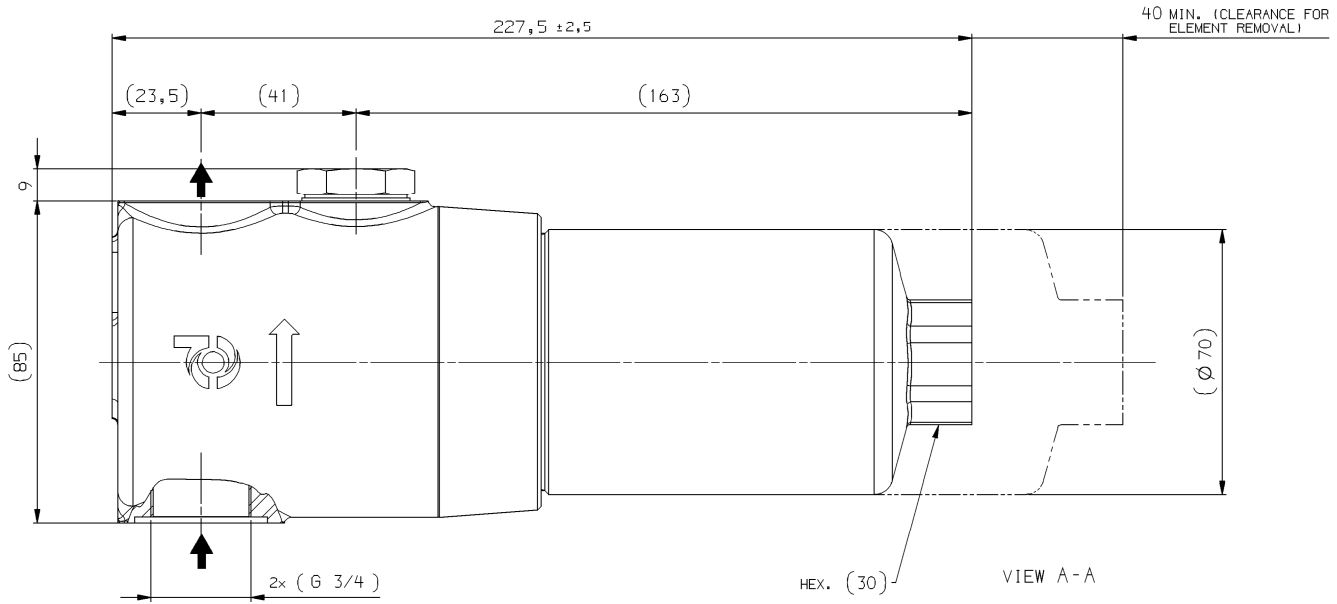


THIS DOCUMENT CONTAINS INFORMATION THAT IS CONFIDENTIAL AND/OR PROPRIETARY TO DONALDSON COMPANY, INC. ALL RIGHTS TO DISCLOSE, COPY, REPRODUCE, MANUFACTURE FROM OR DISPOSE OF THIS DOCUMENT OR ITS CONTENTS ARE RESERVED UNLESS SPECIFIED IN WRITING BY DONALDSON.

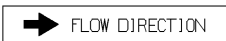


TECHNICAL DATA:

- AVG. FILTRATION EFFICIENCY PER ISO 16889:
 $\beta_{18 \mu m} \geq 200$
 $\beta_{23 \mu m} \geq 1000$
- MAX OPERATING PRESSURE AT 42 MPa (420 bar)
- BY-PASS VALVE SETTING: 600 KPa (6 bar) PER ISO 3968
- OPERATING TEMPERATURE RANGE: -20° C +120° C
- FLOW RATE: 50 l/min
- COMPATIBILITY VERSUS OIL PETROLEUM BASED FLUIDS PER ISO 2943

NOTE:

- "M" (ISO METRIC THD) ACCORDING TO ISO 261 - ISO 965
- "G" (G/BSP BRITISH STD CILINDRICAL GAS THD) ACCORDING TO UNI EN ISO 228/1
- TORQUE ASSEMBLY FITTINGS PER EN0300006



ITEM	QTY	PART NO.	DESCRIPTION
1	1	P762342	HEAD MACHINING
2	1	P175348	PLUG THREADED G1/2
3	1	P175349	WASHER LIQ BONDED SEAL
4	1	P761399	BYPASS VALVE
5	1	P165136	ELEMENT ASSY
6	1	P173382	SEAL O-RING 56.82X2.62
7	1	P173380	ANTI EXTRUSION RING PARBAK
8	1	P173344	HOUSING MACHINING

♦ DENOTES SIGNIFICANT CHARACTERISTICS		CTQ DENOTES CRITICAL TO QUALITY, REF: EN0239211		NX / CADD	
MATERIAL:	RELEASE NR	2002C0086		TITLE	
SEE ITEM	REL. DATE	JAN 18, 1991		HYDR. FILTER ASSY	
-	EXP. NR				
-	PROJECT NR				
REF. N°: AP359.03 SPEC.	DR. LC	18/01/91		NUMBER	REVISION
TOLERANCES UNLESS OTHERWISE SPECIFIED	CHK.			FP K020139	1
0 - 6 ± 0,2	DESIGN				
6 - 30 ± 0,3	CHK.				
30 - 120 ± 0,5	DESIGN				
Angles ± 1'	CHK.				
FIRST ANGLE PROJECTION		SCALE: 1:1	SHEET: 1 OF 1	SIZE	
				N A2	
△ DENOTES REVISION		DESIGN CONTROL: C002	DRWG LOCATION: C000	VERSION C	
DO NOT SCALE		COPYRIGHT © DONALDSON COMPANY, INC.			

CT	1	201503076	REVISED AND REDRAWN WITH NX CAD SYSTEM AT REV.1, NO PRIOR REV. EXIST ON PDM	09/02/15		
DR.	REV.	ZONE	ECD NUMBER	REVISIONS	APP.	DATE



Donaldson Italia S.p.A. 46035 - Ostiglia